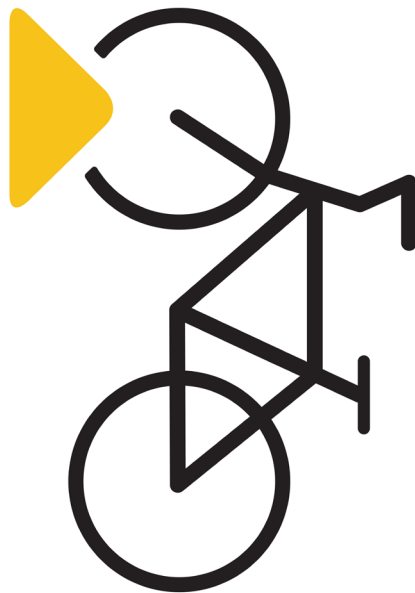


USER MANUAL

PARKIS Luxury & Original versions



PARKIS

Dear User,

Congratulations on purchasing your PARKIS!

PARKIS is a household equipment for vertical bicycle parking which lets you free up precious storage space on the floor. Should you need more information on PARKIS purpose, usage and installing, please visit us at www.parkis.eu. If you have questions, we'll have answers!

Important

It is important that you read the entire manual to familiarise with this product before you begin using it. Persons not acquainted with the information provided in this manual are not allowed to use the equipment. Adult supervision is highly recommended for junior users of the PARKIS. We do not take any responsibility and we are not liable for any damage caused through use of PARKIS in case you fail to strictly follow the instructions provided in this manual. Warranty will not be applied if the damage is caused by your failure to follow the instructions. Having read the manual carefully please keep it handy for future reference.

Content

1. Intended use
2. Set
3. Key elements
4. Assembly instructions
5. Use (operation)
6. Maintenance
7. Deactivation
8. Safety
9. Dismantling
10. Warranty

1. Intended use

1.1 This bicycle parking lift PARKIS (further PARKIS) is a mechanical equipment designed for a vertical parking of your bicycle.

1.2 PARKIS (Original/Luxury) fits the most popular bicycle models. Only these criteria apply:

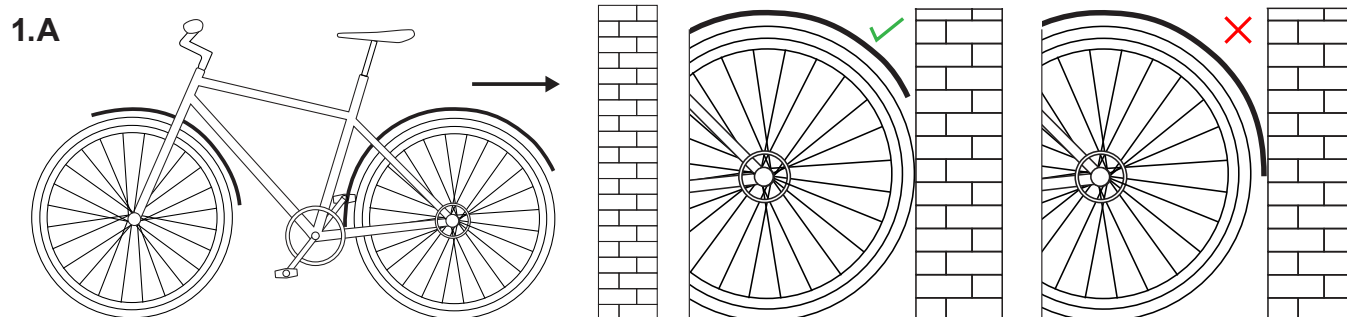
*tire width from 38 mm (1,5”) to 51 mm (2,0”)

*wheel diameter 61 cm (24”) or more

*weight on front axis up to 15 kg (33 lb) (fig. 7.A) (page 9)

*mud flaps ends must be above the wheel axis

Mud flaps ends must be above the wheel axis. This can be checked by leaning the bike's rear wheel against the wall. If the wheel (not a mudguard) touches the wall – Parkis is suitable for your bike's mud flaps. (fig. 1.A)



IMPORTANT! Before parking your bicycle make sure it meets these criteria.

1.3 PARKIS (Original/Luxury) is designed for an individual use in spaces that are protected from precipitation.

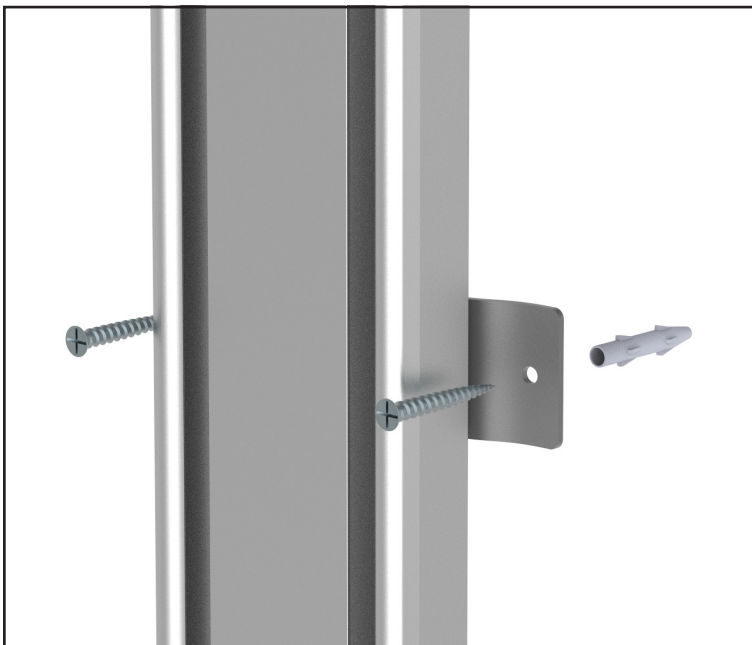
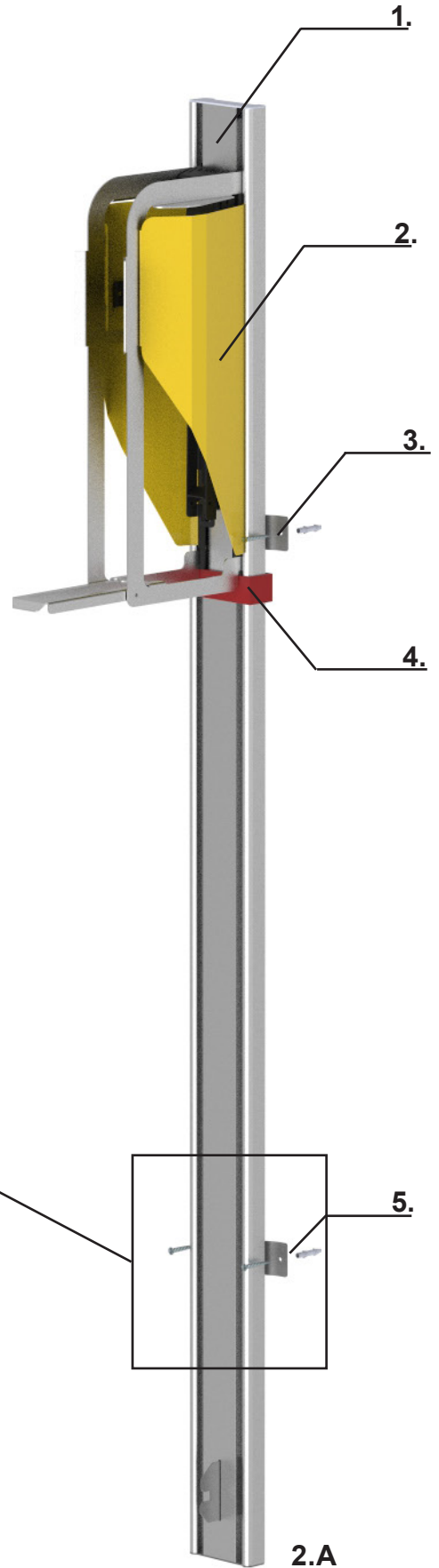
2. Set

Set includes:

1. Parking lift PARKIS
2. 4 screws for masonry wall installation
3. User manual

3. Key elements

1. Stand
2. Wheel locking mechanism (dolly)
3. Screws (set includes masonry screws)
4. Safety-catch for transportation only.
Having fastened the equipment to the wall,
safety-catch is removed.



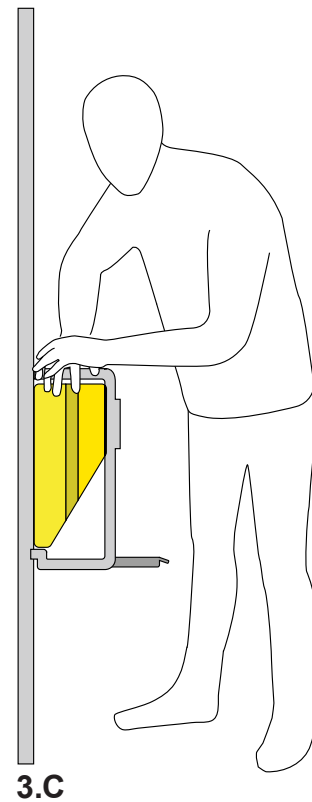
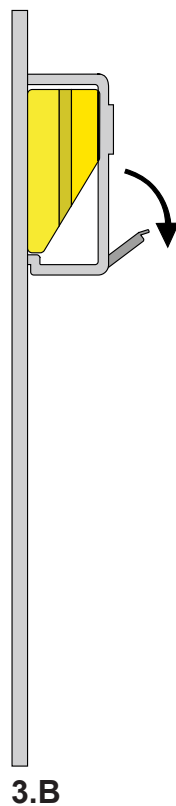
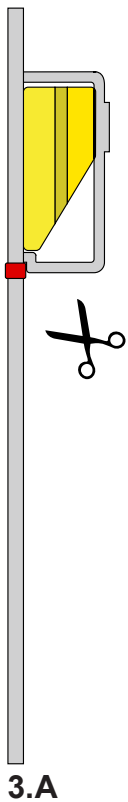
4. Assembly instructions

4.1 To mount the bicycle lift, wall and floor in that area must be even. Put the parking equipment on the floor, lean it to the wall and mark the spots for screws to be fastened. If you intend to mount PARKIS to the masonry wall (which is recommended), make pilot holes for fastening screws, install screw anchors, lean the equipment along the wall accurately and fasten the equipment to the wall with screws tightly. For other types of walls please obtain screws which are most fitting for that type of wall.

4.2 Remove safety-catch (fig. 3.A).

4.3 Put a wheel's support to the horizontal position (fig. 3.B).

4.4 Push a wheel locking mechanism (in further text – dolly) to the ground position. You will normally feel resistance while pushing. It will fix automatically (fig. 3.C), now your PARKIS is ready to use!

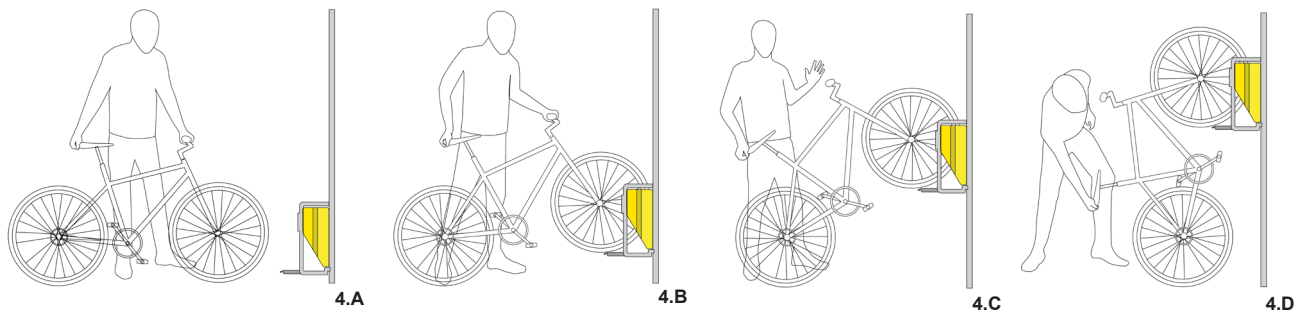


5. Use - parking

1. Before parking your bicycle make sure that there are no children or pets around to avoid accidents. Hold your bicycle so that both wheels have to be on the line perpendicularly to the surface that PARKIS is fastened to.
2. Use one hand to lightly hold a handle bar of your bicycle (first time users are advised to pick the bar underhand) and firmly take the saddle with the other hand. We recommend you to hold the saddle with your leading hand. (fig. 4.A)
3. Firmly push the saddle forward while **the handlebar lightly lifting up** and directing the front wheel towards the wheel locking mechanism until the wheel has been locked. Attention! Do not push the handle bar downwards! Let the front wheel go up freely (fig. 4.B and 4.C). At the same time hold firmly the saddle and direct a rear wheel so that it goes in the middle of the stand. Your bike has been parked! (fig. 4.D)

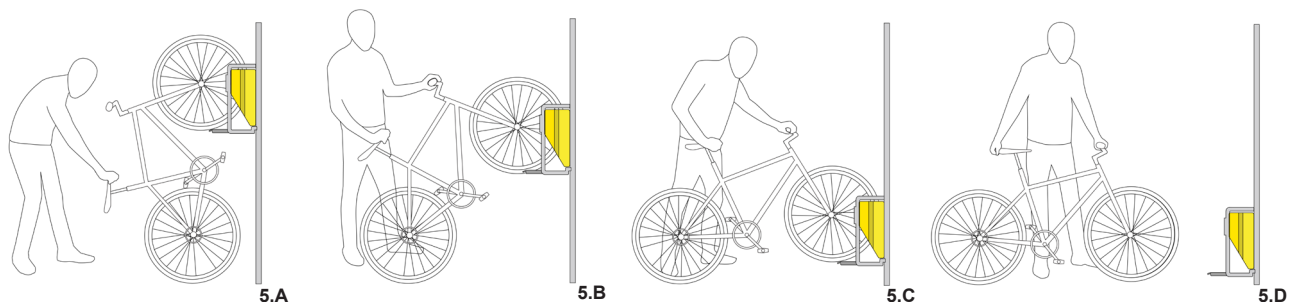
Note

If the wheel has not been locked from the first time and the dolly moved upwards, just put your bicycle aside safely, use a hand to push the dolly down until fixed position (fig. 3.C) and repeat the same actions once again. Some practice is needed to get used to parking your bicycle this way. While parked your bicycle has to be protected from accidental impact (eg. turning or bending) as this can damage the equipment, your bicycle or harm a person.



5. Use - removing a bicycle

Use a hand to hold the saddle (not the handlebar!) and firmly pull towards yourself (fig.5.A). As the bicycle starts descending push a handlebar down with your other hand (fig. 5.B & 5.C) until the front wheel reaches the ground and is removed from the wheel locking mechanism (fig. 5.D). Your bicycle is removed from the parking equipment!



6. Maintenance

PARKIS' construction allows to use it for a long time without any particular maintenance. Consider these tips to enjoy PARKIS even more:

1. Get your bike clean before you park it in PARKIS.
2. Do not use any materials containing solvents or diluents for cleaning PARKIS

If you intend not to use PARKIS for a longer period of time (month or more), we recommend keeping a dolly in the upper position on the stand (deactivated) – how it is positioned when a bicycle is parked or the equipment is not activated (see par. No. 7). It increases durability of the spring inside the stand.

7. Deactivation

Perform deactivation prior to dismantling, repairing or leaving PARKIS without parked bicycle for a longer period of time (month or more).

A screwdriver is required for deactivation process

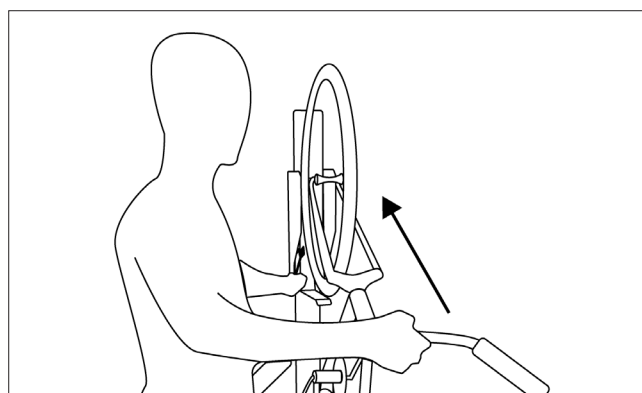
We strongly recommend you to call someone for assistance to hold bicycle in place to ease deactivation process.

1. While bicycle is parked in vertical position, hold your bicycle firmly in the middle of handlebar (on stem) and apply light pressure towards PARKIS (fig. 6.A).

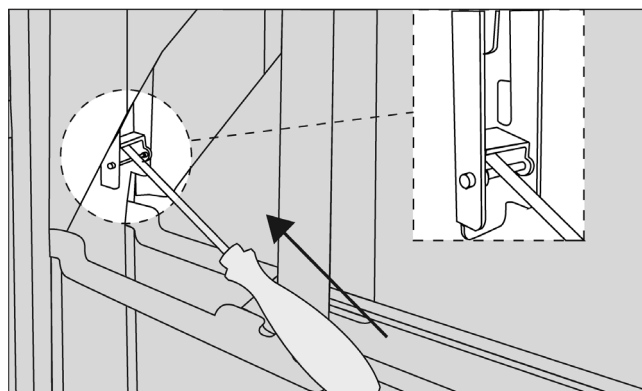
2. Place the screwdriver between flat metal part and pin (fig. 6.B).

3. Pull the screwdriver down, (fig. 6.C), until mechanism releases the bicycle wheel. **Please note that bicycle will fall out if not held firmly and may cause damage or harm.**

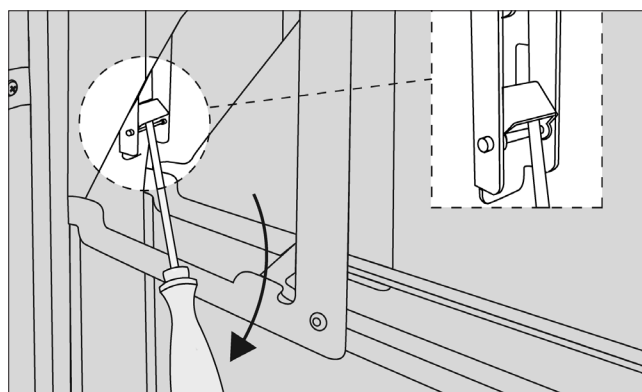
4. Remove the bicycle and put up PARKIS wheel support. Now you have performed PARKIS deactivation.



6. A



6. B



6. C

8. Safety

When unpacking, check to make sure that the item is intact and undamaged. If any parts are broken, please contact seller.

Use PARKIS to park only technically accurate bicycles with fully inflated tires and only those that meet the above listed specifications (see par. no. 1.2).

Having parked your bicycle make sure that the front wheel is properly locked and the rear wheel rests centred to the PARKIS stand.

Do not use bicycle lift if stand surface got damp due to humidity condensation, precipitation or other reason.

ATTENTION! When the dolly is fixed in lower position (activated), it possesses potentially dangerous energy (springs inside the stand are stretched!!!).

When the equipment is in use or dolly is in lowered position (activated):

***DO NOT put hands inside the dolly!**

***DO NOT put fingers inside any part of the equipment!**

***DO NOT try to dismantle or repair the bicycle lift!**

***DO NOT allow children to play near the bicycle lift!**

***DO NOT allow pets to be around the device.**

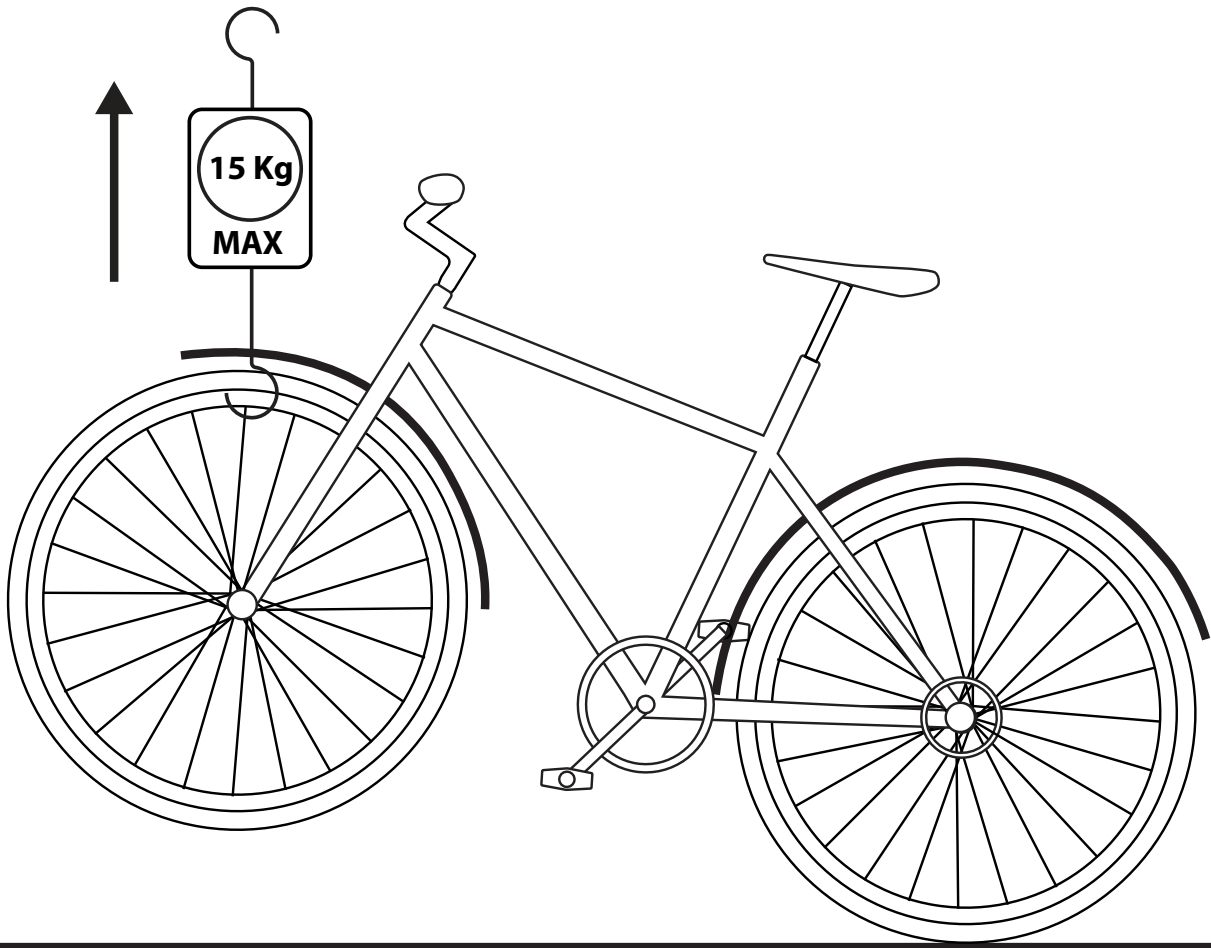
9. Dismantling

1. Deactivate the parking equipment (see par. No. 7)
2. Remove screws which fasten the equipment. Start with the lower ones.

10. Warranty

This warranty covers all manufacturing and material defects for a period up to 12 months from the day of purchase the product. In case of a warranty claim please provide a seller with the warranty and the proof of purchase (a receipt).

The warranty does not cover transportation or post costs. During the period of the warranty, we will not cover damages and/or defects resulting from typical wear and tear. The warranty does not cover damage resulting from abuse, misuse, failure to follow operating instructions or incorrect maintenance by the purchaser or third parties. The warranty does not apply if any alterations have been made to the original construction. Warranty does not cover damage resulting from abuse, misuse, failure to follow operating instructions or incorrect maintenance by the purchaser or third parties. The warranty does not apply if any alterations have been made to the original construction.



7.A

Visit us at: www.parkis.eu

Follow us on social media for more inspiration and ideas!

QR link

